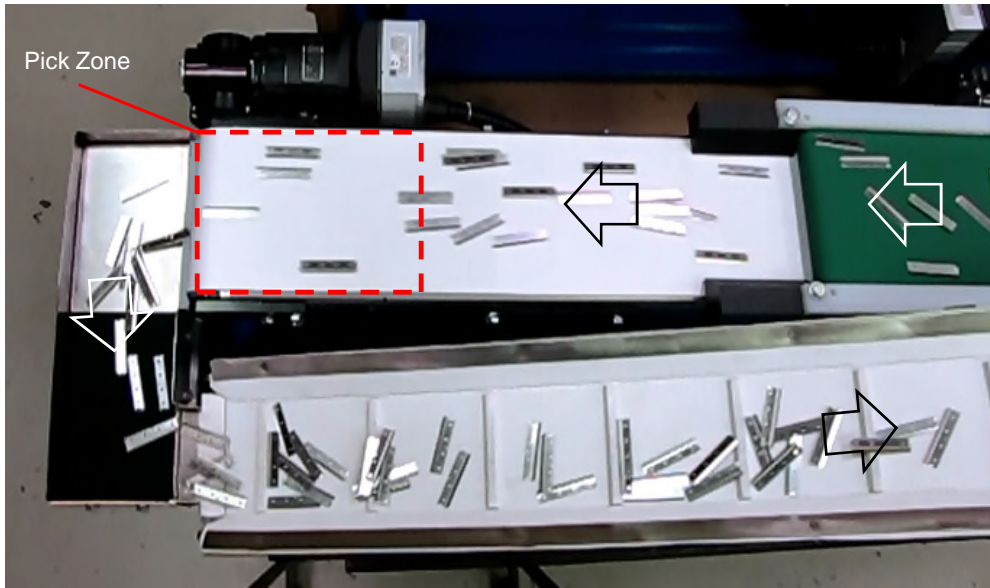


Small Part- Flex Feeder



Small Part- High Speed Multi-Stage Flex Feeder with pattern formation

FLEX FEED PROCESS :

- Two types of Flex Feed Systems are available for small parts. These are loop type and pattern formation type.
- Flex Feed systems feed wide variety of parts or packages with features or geometry not favorable for standard feeders from bulk supply and gently distributes parts to operators or vision guided robots.
- Flex Feed process is scalable to part dimensions, weight and throughput
- May be use "pick field of view" or "pick on the fly" methodology
- Integrated to or stand alone from downstream or upstream processes.
- May include back lit or high contrast pick belts.



Supply parts & packages to your vision guided robot.

FLEX FEED BENEFITS:

- Positive part, package or materials distribution to pick process.
- Gentle, package or material handling uses minimal tooling
- Autonomous operation with simple I/O Interface
- Handles Families of Parts and Packages with a single feeder
- Minimal recirculation of parts
- Available in a wide range of configurations to suit your layout

Common Applications:

- Multi part assemblies
- Medical Parts
- Electronic Parts
- Fine Packaging
- Machined Parts
- Fasteners
- Friable Parts (Ceramics)
- Parts w/ Finished Surfaces

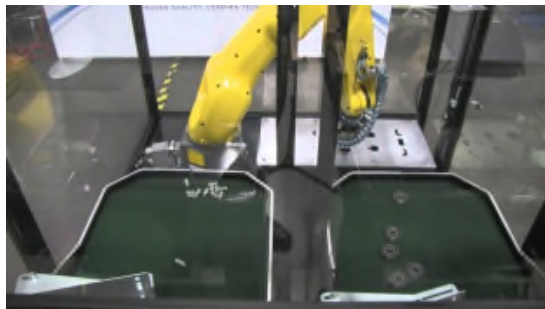
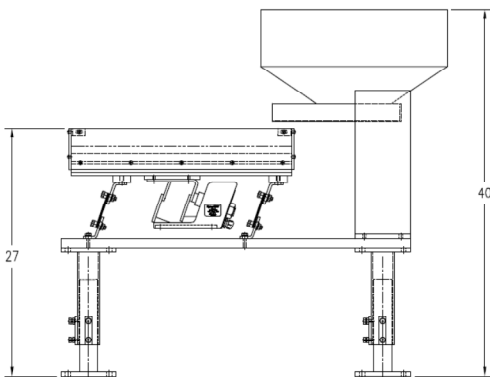
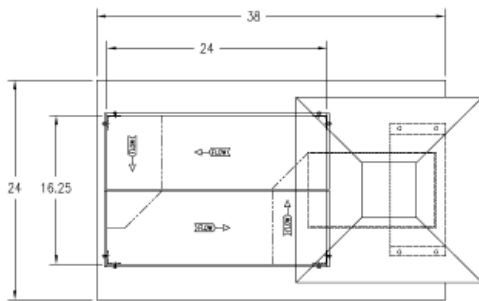


Small Part- Flex Feed Loop- Sanitary Belt Style

Flexible Feeding

From your proven "gentle" part, package or materials, experts

FLEX FEED APPLICATIONS



Typical Small Part Flex Feed Configuration:

- .5, 1,2 and 3 cu ft Bulk Supply Hoppers
- 16" x 24" Tables
- 16" x 32" Tables
- 24" x 24" Tables
- 5° Incline Return
- 1.5" Machine Base 32" +/- 3" Surface
- 115V/1/60 Power Supply
- I/O Interface

Note: Typical configuration is based on DynaSlide Linear bi-directional conveyors with circular brush pattern

Best used for "pick field of view" applications.



Simple Loop Flex Feeders Based Flex Feeders can include part distribution features to minimize part recirculation and achieve higher feed rates.

□CDS LIPE * 800-448-7822 * www.cds-lipe.com