

# Horizontal-Part Feeder

**Adaptable Custom Part Handling Solutions  
Built on Pre-Engineered Platform**

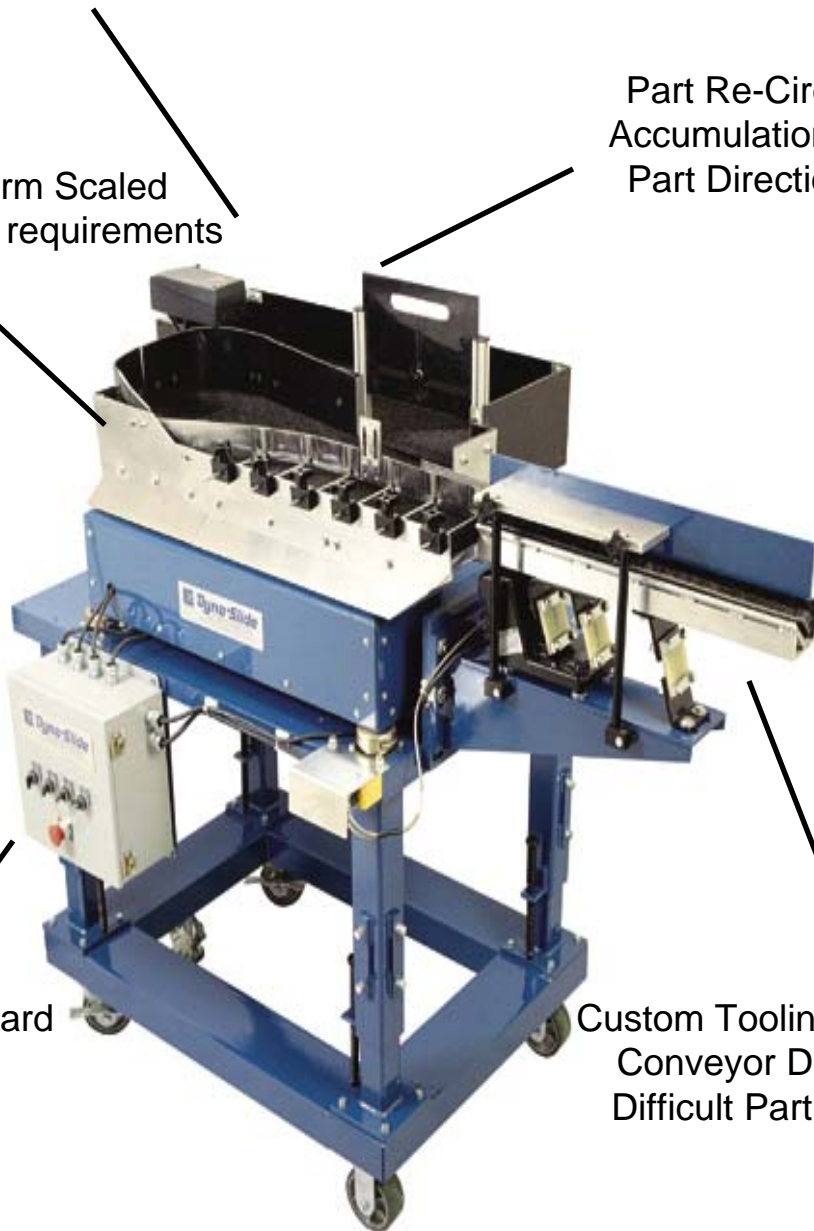
Gentle, Non-Abrasive  
Polypropylene Brushlon

Modular Platform Scaled  
to your project requirements

Part Re-Circulation and  
Accumulation and Ease of  
Part Directional Change

Industry Standard  
Controls

Custom Tooling & Discharge  
Conveyor Designed For  
Difficult Part Orientation



Model Shown: Portable Model 1436 w/Space Saver Supply Hopper

**Dyna-Slide®**

□CDS LIPE Div. \* 7650 Edgecomb Drive \* Liverpool, N.Y. 13088 \* 800-448-7822

# Horizontal Vibratory Feeder Features :



- Modular, flexible design that is superior applications that requires gentle handling
- Easily integrated within automation cell.
- Compact modular platform to fit wide range of applications using common building blocks.
- Adjustable and portable base
- Engineered replaceable tooling
- Simple to retool when part changes warrant.
- Removable polypropylene brush
- Stainless steel, tool steel or UHMW wear surfaces
- Wrenchless interchangeable & adjustable tooling allows for wide range of parts to be handled within single feeder.

## HORIZONTAL FEEDER

- Quiet operation- > 60 dba -Typical
- Gentle handling on wide variety of parts and containers
- Portable base for ease of integration.
- Price competitive w/ vibratory bowls.
- Operating speeds to 0 to 320" / Min.
- Tooling results in reduced set-up time
- Simple changeovers for wide range of parts allows single feeder to run wide range part sizes in one w/ simple, quick tooling changes.
- Endures wet, harsh environments
- Can be integrated w/ bulk handling equipment discharge conveyors and controls to create complete automation cell.
- Capacity is modular and expandable.
- Feeder can be easily reconfigured for new parts or changes in part geometry.
- Simple cleaning and replacement of wear surfaces
- Available as both std. models and customized to meet your application requirements.

Standard Models	Dimensions	Part Range
F00929	9" x 29"	> 2"
F01436	14" X 36"	> 4.50"
F02148	21" X 48"	> 6"
F03054	30" X 54"	> 8"
F04166	41" X 66"	> 10"



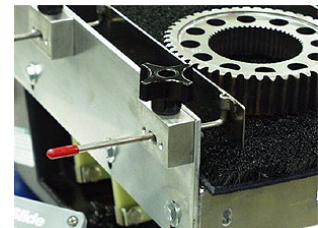
Packaging



Machined Parts



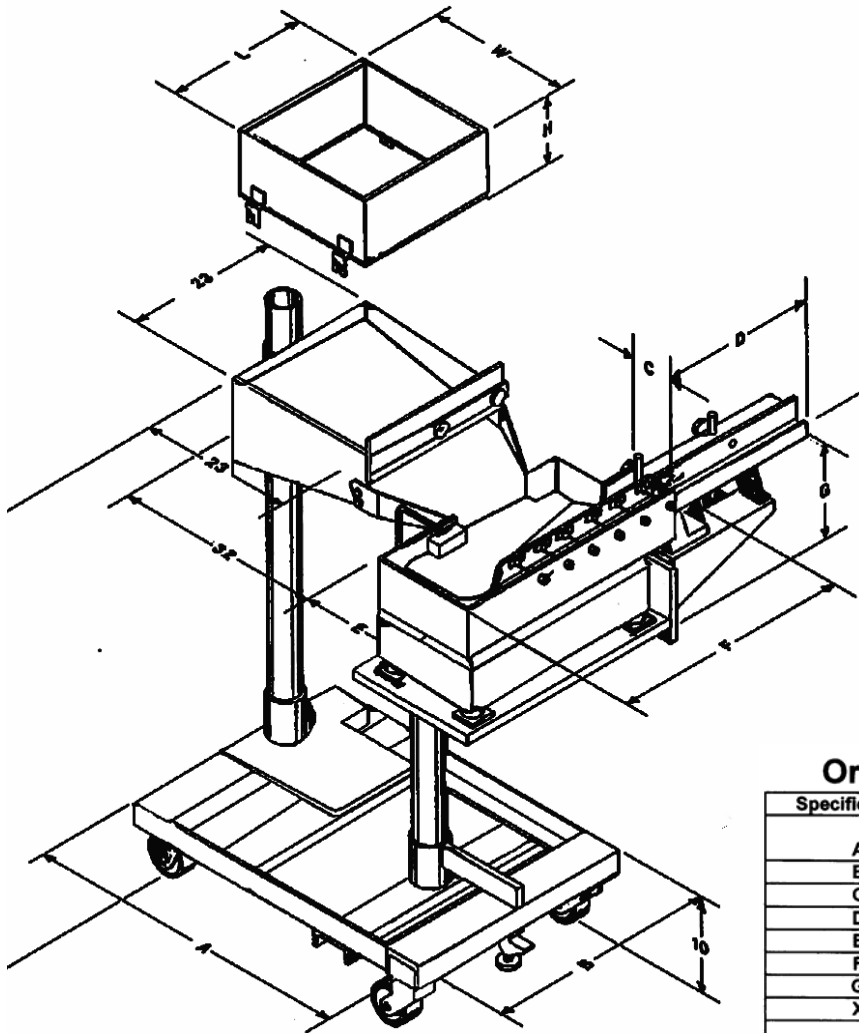
Glass



Powdered Metal

CDS LIPE Div. \* 7650 Edgecomb Drive \* Liverpool, N.Y. 13088 \* 800-448-7822

# Modular Part Feeder Systems



*Pedestal Mounted Feeder w/ Supply Hopper*

## Orienter/Feeder Dimensions

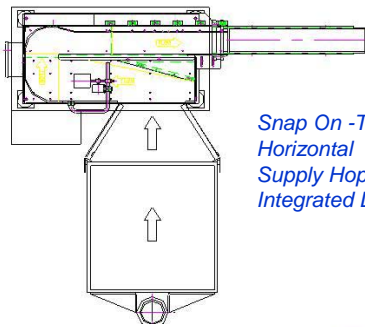
Specifications	Model Numbers				
	F0820	F0929	F1436	F2148	
A	29	50	50	64	
B	20	35	35	47	
C	2	2	5	5	
D	18	18	24	24	
E	8	9	14	27	
F	20	29	36	48	
G	8	12	15	15	
X	35-45	36-55	36-55	36-55	
Part Size Guide					
Part Dia. or Width	Min.	0.13	0.25	0.38	0.38
	Max.	0.5	1	2.5	4.5
Part Length	Min.	0.13	25	0.5	0.5
	Max.	1	3	6	9

## Hopper Expanders

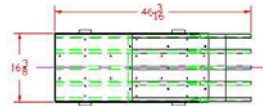
Capacity expander	Specifications		
	W	H	L
3'	21	21	9
5'	38	38	11
10'	38	38	17
15'	38	38	23

□CDS LIPE Div. \* 7650 Edgecomb Drive \* Liverpool, N.Y. 13088 \* 800-448-7822

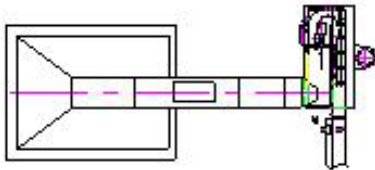
# Feed Systems configured to meet your needs...not the other way around.



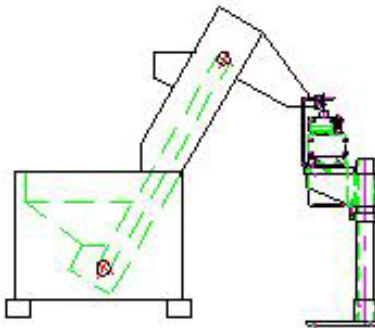
Snap On -Tools  
Horizontal Feeder  
Supply Hopper  
Integrated Discharge Conveyor



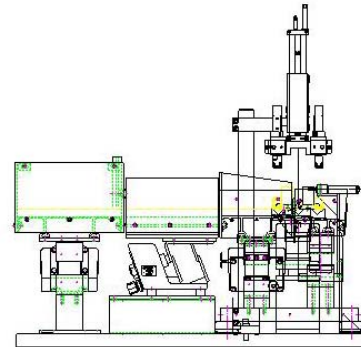
Southco - Zinc Parts  
Horizontal Feeder-Sprue Separation Tooling



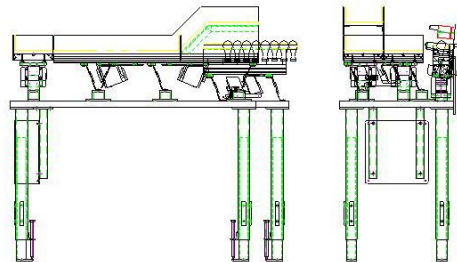
Nadel Industries- Cosmetic Packaging  
Pre-Feeder w/ Pedestal Mount Feeder



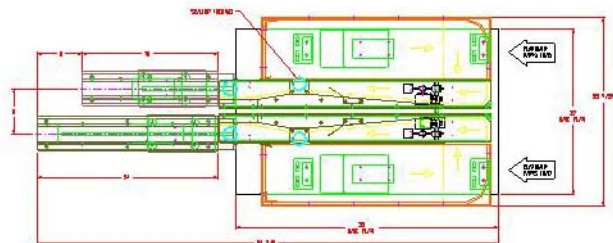
Fanuc/GE-Multiple Lane Bulb Feeder to Pick Robot



Capital Tech-Honeywell - Spark Plug Orientation  
System w/ Active Pick-Place Module  
Insertion to Power Free Assembly Pallet System



Osram-A-19 Bulb Orientation System to Packaging Line



Metal Powder Part- Orient Left & Right Hand Parts to  
Assembly Robot

Part Feed Systems are universally based on part geometry and speed. We select the most cost effective and efficient technology to meet your application requirements.

□ CDS LIPE Div. \* 7650 Edgecomb Drive \* Liverpool, N.Y. 13088 \* 800-448-7822